



WOLF



CE

Wolfloader.com

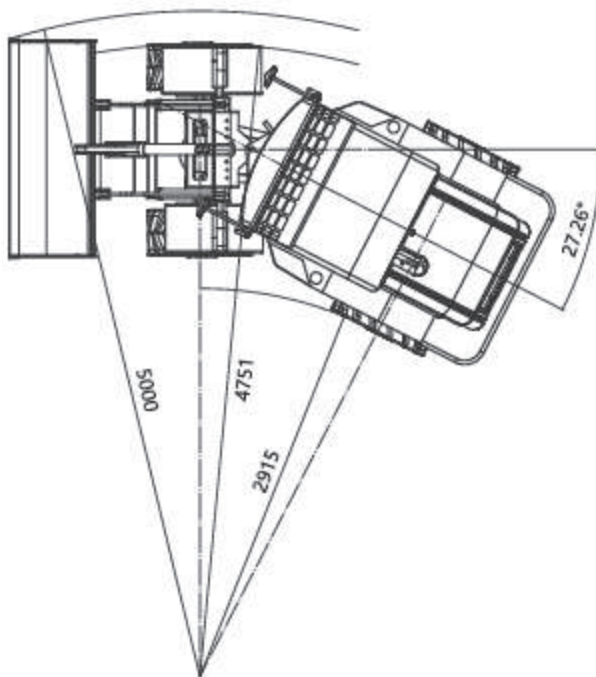
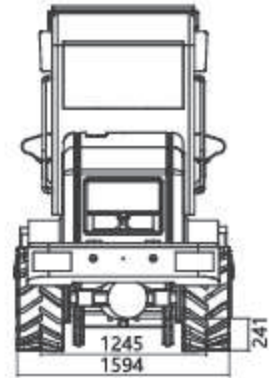
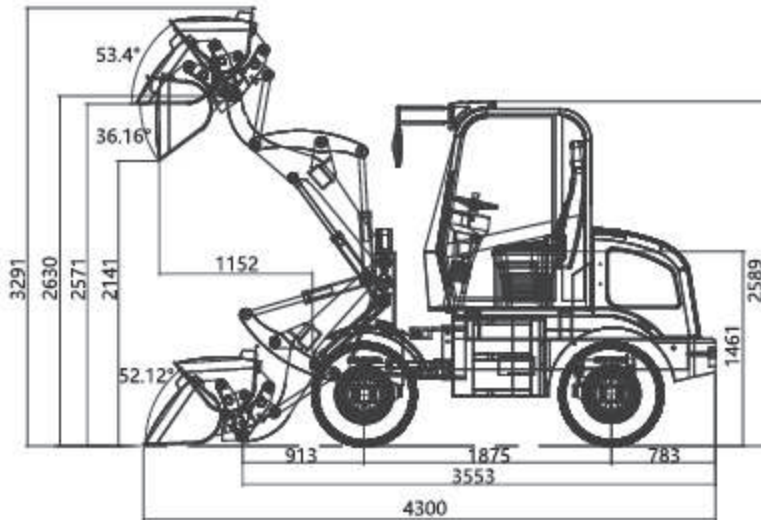
WHEEL LOADER

WL80



Specifications

Engine Model:	CHANGCHAI 390
Rated Power(kw):	25
Rated Speed(rpm):	2400
Rated load(kg):	800
Rated Bucket Capacity(m3):	0.3-0.5
Overall Size LxWxH(mm):	4300×1600×2590
Wheel base (mm):	1875
Wheel thread(mm):	1245
Max.breakout force (KN):	32
Max.dump height(mm):	2141
Dump distance(mm):	1152
Total time(s):	9.2
Operating Weight(kg):	2500
Tyre:	825-16/10-16.5/28×9-15.5/31×15.5-15/33×15.5-16.5



OPERATOR COMFORT

WOLF ergonomically designed air-conditioned cabin features a fully enclosed glass to improve visibility in all directions. Sophisticated design solutions simplify the operator's everyday work with a pilot joystick control, wrist speed control.

Higher levels of operator comfort helps you work more efficiently and increases productivity. The all-new WOLF Wheel Loader is designed to get the job done faster and keeps you working comfortably.





QINGDAO ZONGJIN ENGINEERING MACHINERY CO.,LTD. [MAINLAND]

WOLF EQUIPMENT PTE.LTD. [SINGAPORE]



TEL: 0086-532-66739792

FAX: 0086-532-66739791

info@chinawheelloaders.com

WHATSAPP: 0086-13589171650

NO.88 CHUNYANG RD,CHENGYANG,
QINGDAO,CHINA

www.wolfloader.com